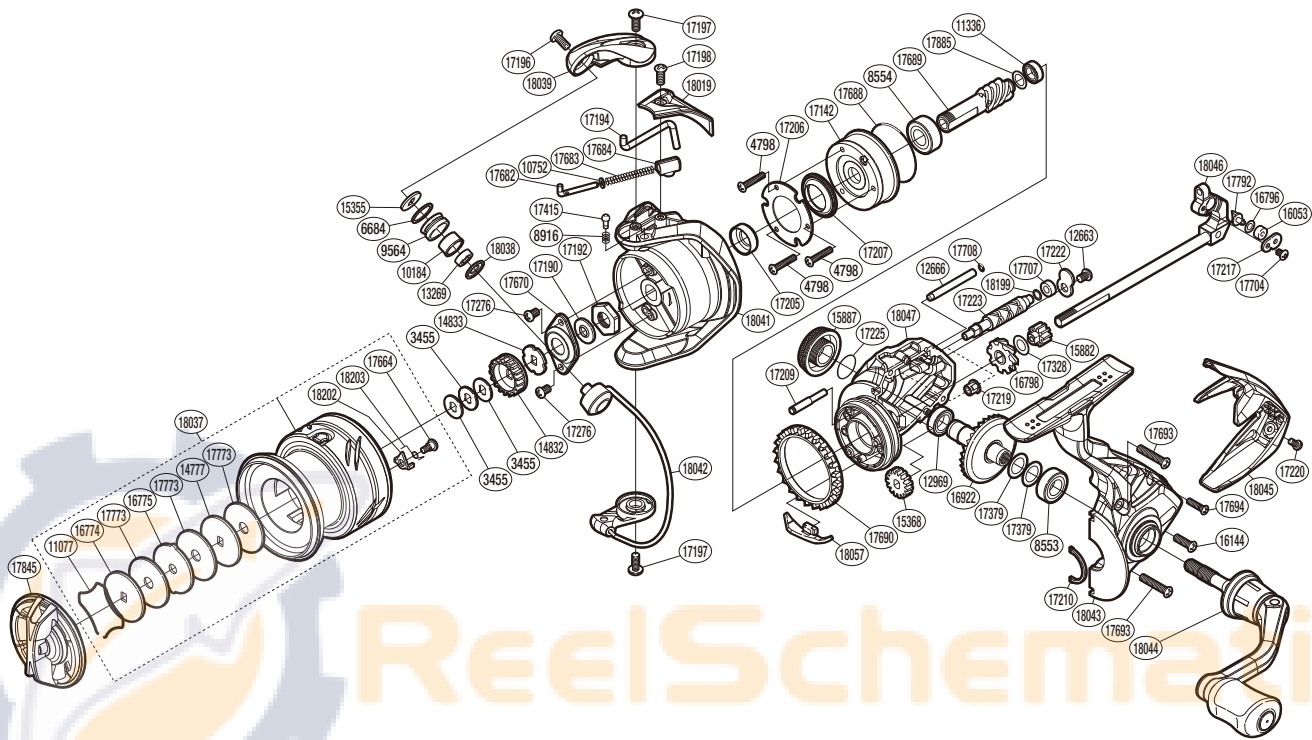


# SHIMANO

## ULTEGRA S A-RB

## ULT-2500FB



Please note that the number of adjusting washers may not be the same as shown in the exploded views.  
(51SF03E025X) (Adjustment will vary with each individual product.)

Part No.	Description	Part No.	Description	Part No.	Description
RD 3455	Spool Washer	RD17142	Roller Clutch Assembly	RD17690	Friction Ring
RD 4798	Screw	RD17190	Bearing Water Proof	RD17693	Screw
RD 6684	Line Roller Spacer	RD17192	Rotor Nut	RD17694	Screw
RD 8553	Ball Bearing	RD17194	Bail Trip Lever	RD17704	Screw
RD 8554	Ball Bearing	RD17196	Screw	RD17707	Worm Bushing
RD 8916	Click Spring	RD17197	Screw	RD17708	O Ring
RD 9564	Line Roller	RD17198	Screw	RD17773	Drag Washer
RD10184	Line Roller Bushing	RD17205	Rotor Ring	RD17792	Oscillating Pawl
RD10752	Bail Spring Guide A Support	RD17206	Roller Clutch Reinforce	RD17845	Drag Knob
RD11077	Drag Washers Retainer	RD17207	Roller Clutch Water Proof	RD17885	Washer
RD11336	Ball Bearing	RD17209	Idle Gear B Shaft	RD18019	Bail Spring Cover
RD12663	Screw	RD17210	Flange Water Proof	RD18037	Spool Assembly
RD12666	Oscillating Guide A	RD17217	Oscillating Pawl Cover	RD18038	Line Roller Support B
RD12969	Ball Bearing	RD17219	Worm Bushing (Front)	RD18039	Bail Arm
RD13269	Ball Bearing	RD17220	Screw	RD18041	Rotor
RD14777	Key Washer	RD17222	Worm Shaft Retainer	RD18042	Bail Assembly
RD14832	Spool Support A	RD17223	Worm Shaft	RD18043	Side Cover
RD14833	Spool Support B	RD17225	O Ring	RD18044	Handle Assembly
RD15355	Line Roller Washer	RD17276	Screw	RD18045	Rear Protector
RD15368	Idle Gear	RD17328	Washer	RD18046	Main Shaft Assembly
RD15882	Idle Gear B (Small)	RD17379	Washer	RD18047	Body
RD15887	Handle Screw Cap	RD17415	Click Pin	RD18057	Bail Trip Strike
RD16053	Oscillating Slider Bushing	RD17664	Screw	RD18199	Washer
RD16144	Screw	RD17670	Rotor Nut Lock Plate	RD18202	Drag Click
RD16774	Key Washer	RD17682	Bail Spring Guide A	RD18203	Drag Click Spring
RD16775	Eared Washer	RD17683	Bail Spring		
RD16796	Spacer	RD17684	Bail Spring Seat		
RD16798	Idle Gear B (Large)	RD17688	O Ring		
RD16922	Drive Gear	RD17689	Pinion Gear	RD18054	Anti Line Slip Sticker